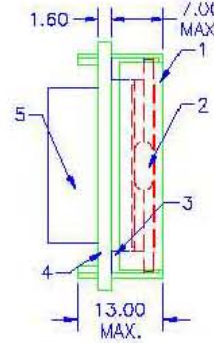
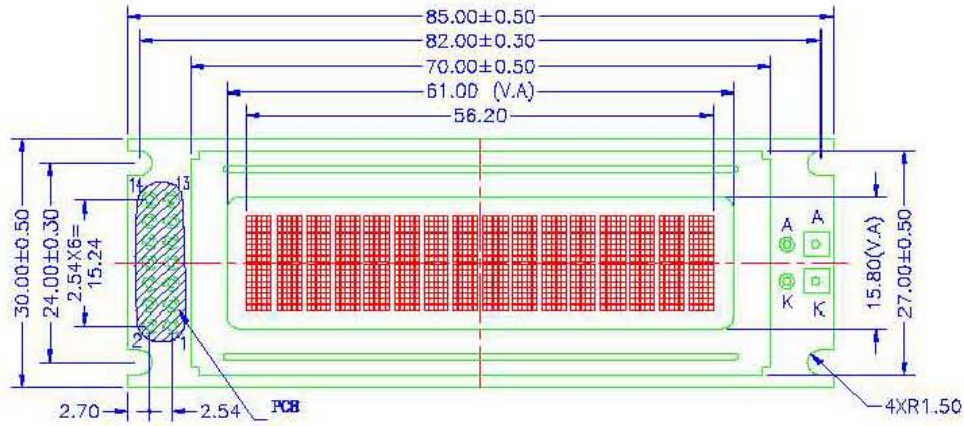
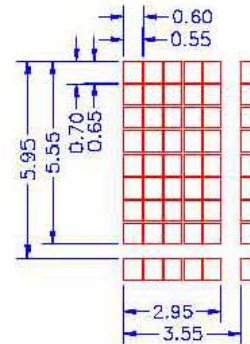
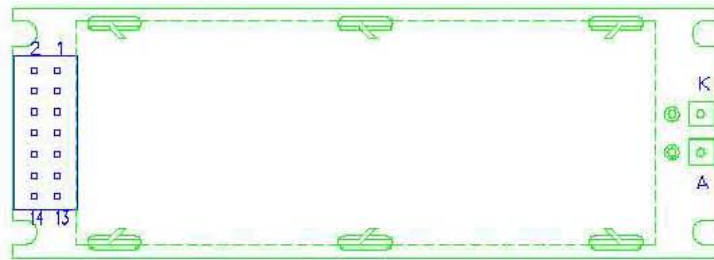


PSM162GMOD

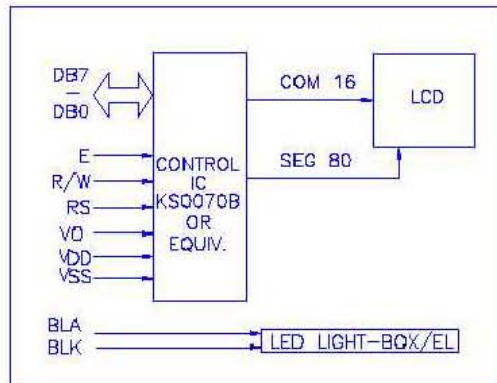


CONNECTOR		PINOUT	
PIN#	SYMBOL	LEVEL	DESCRIPTION
1	V _{DD}	5.0V	Supply voltage for logic and LCD(+)
2	V _{SS}	0V	Ground
3	V ₀	-	Operating voltage for LCD(variable)
4	RS	H/L	H:Data;L:Instruction code
5	R/W	H/L	H:Read(MPU→Module);L:Write(MPU→Module)
6	E	H;H→	Chip enable signal
7	DB0	H/L	Data bit 0
8	DB1	H/L	Data bit 1
9	DB2	H/L	Data bit 2
10	DB3	H/L	Data bit 3
11	DB4	H/L	Data bit 4
12	DB5	H/L	Data bit 5
13	DB6	H/L	Data bit 6
14	DB7	H/L	Data bit 7
	K	0V	Back-Light Cathode (-)
	A		Back-Light Anode (+)



NOTES:

1. ALL DIMENSIONS ARE MILLIMETRE
2. LCD TYPE: HTN(/TN/STN)/POSITIVE.
3. POLARIZER MODE: REFLECTIVE.
4. VIEW DIRECTION: 6:00
5. DRIVE METHOD: 1/16 DUTY; 1/5BIAS.
6. OPERATING TEMPERATURE: 0°C TO +50°C.
7. STORAGE TEMPERATURE: -20°C TO +70°C.
8. CONNECTOR:ZEBRA.



5		CONNECTOR	1	PS-14PLB-D4T1-FL1
4	162GPCB	PCB LAYOUT	1	FR4
3	162GZBR-1	ZEBRA	2	
2	162GLCD-1/-2/-3	LCD PANEL	1	HTN(/TN/STN)/POSITIVE
1	162GBZL-1	METAL FRAME	1	COLD ROLLED STEEL

TOLERANCE		DRAWN	12/19/03	CHECKED	
>0~6	±0.10	>120~400	±0.50	STANDARD	PROJECTION: REV: -
>6~30	±0.20	>400~1000	±0.80	TECHNIC	DRAWING No. : 162GMOD
>30~120	±0.30	>1000~2000	±1.20	QUALITY	DRAWING TITLE: M162G
// ⊥ ⊙ ±0.10; ANGLE: ±3.0°		APPROVED			UNITS: mm SHEET: 1 OF 1