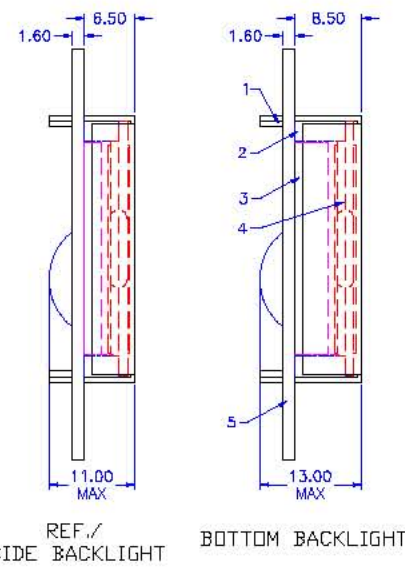
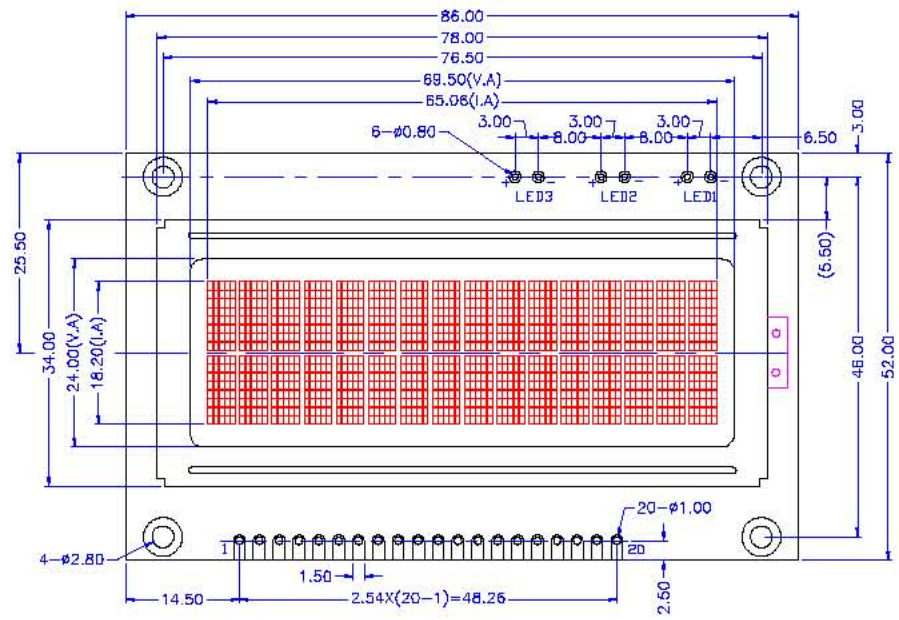


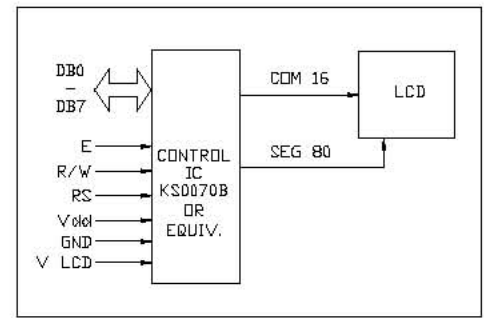
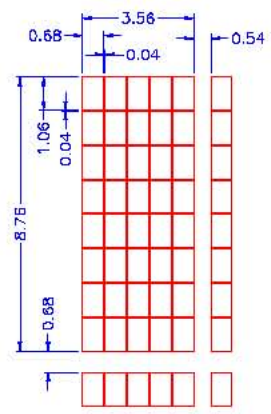
| | | | |
|------|--------------|----|----------|
| REV: | DESCRIPTION: | BY | DATE |
| - | RELEASED | PL | 09/30/03 |

PSM162FMOD



| CONNECTOR | | PINOUT | |
|-----------|-----------------------|---------------------------------------|--------------|
| PIN# | SYMBOL | FUNCTIONS | |
| 1 | V _{cc} (GND) | 0V | POWER SUPPLY |
| 2 | V _{DD} | +5V | |
| 3 | V _{LS} | | |
| 4 | RS | H: DATA INPUT L: INSTRUCTION INPUT | |
| 5 | R/W | H: READ L: WRITE | |
| 6 | E | ENABLE SIGNAL | |
| 7 | DB0 | DATA BUS LINES | |
| 8 | DB1 | | |
| 9 | DB2 | | |
| 10 | DB3 | | |
| 11 | DB4 | | |
| 12 | DB5 | | |
| 13 | DB6 | | |
| 14 | DB7 | | |
| 15 | + | LED/EL (+) | |
| 16 | - | LED/EL (-) | |

| | | |
|----|-------|---------------------------|
| 17 | LED3+ | POWER SUPPLY FOR LED1/2/3 |
| 18 | LED2+ | |
| 19 | LED1+ | |
| 20 | LED- | |



- NOTES:
- ALL DIMENSIONS ARE MILLIMETRE
 - REFER TO MODULE PRODUCT SPECIFICATION FOR SPECIFIC CONFIGURATIONS AND BILL MATERIALS

| ITEM | Drawing No. | Name | QTY | Spec/Material | Notes |
|------|-------------|------------|-----|-------------------|-------|
| 5 | 162FPCB | PCB | 1 | FR4 | |
| 4 | 162FLCD | LC DISPLAY | 1 | STN/POSITIVE | |
| 3 | 162FLED | Backlight | 1 | | |
| 2 | 162FZBR | Zebra | 2 | | |
| 1 | 162FBZL | Bezel | 1 | COLD ROLLED STEEL | |

| TOLERANCE | | DRAWN | Peggy.Li | 09/24/03 | CHECKED | PROJECTION: | REV: - |
|----------------------------|-------|------------|----------|----------|---------|----------------|---------------|
| >0~6 | ±0.10 | >120~400 | ±0.50 | STANDARD | | | |
| >6~30 | ±0.20 | >400~1000 | ±0.80 | TECHNIC | | DRAWING No. : | 162FMOD |
| >30~120 | ±0.30 | >1000~2000 | ±1.20 | QUALITY | | DRAWING TITLE: | M162F |
| // ⊥ ⊙ ±0.10; ANGLE: ±3.0° | | APPROVED | | | | UNITS: mm | SHEET: 1 OF 1 |