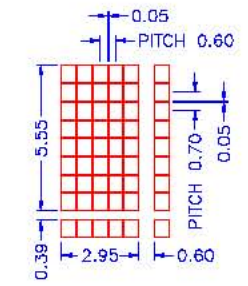
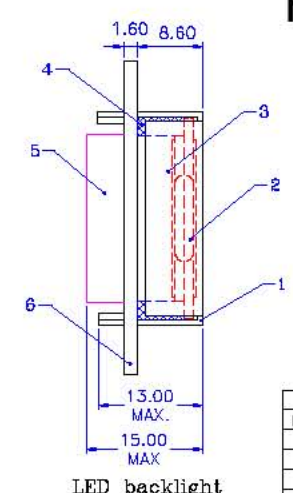
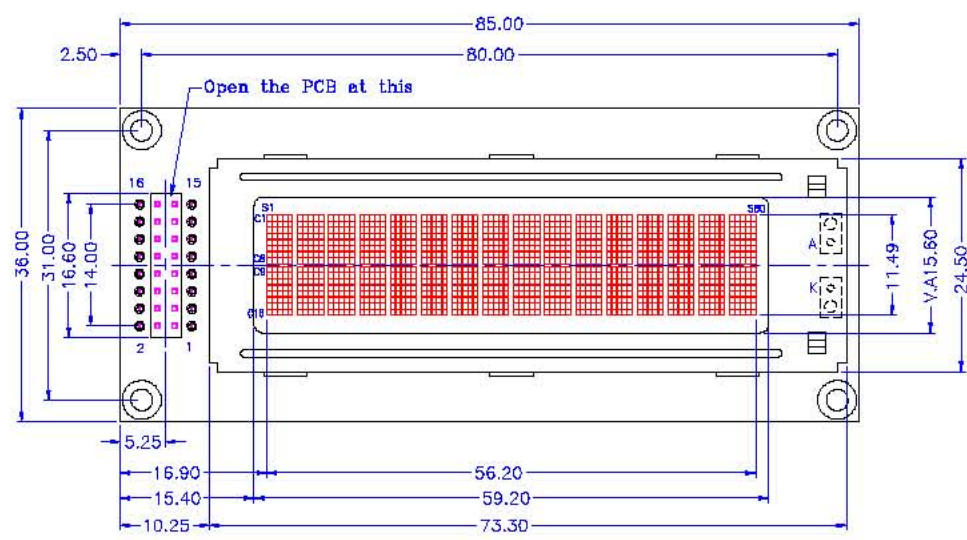
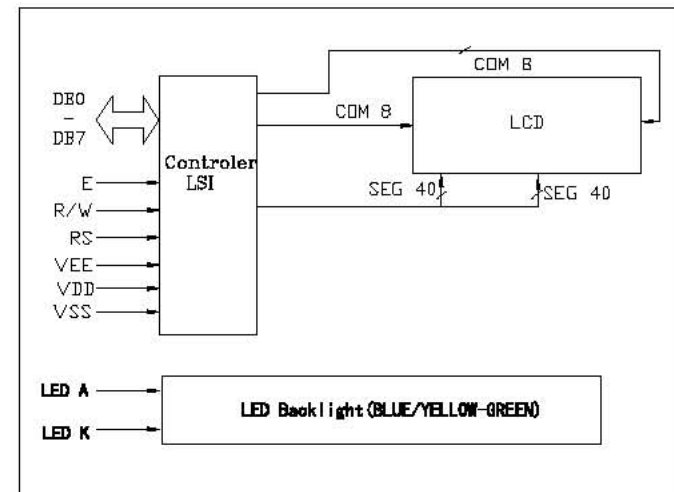


REV:	DESCRIPTION:	BY	DATE
-	RELEASED	P.L	08/29/02

PSM162CMOD



PINOUT			
PIN#	SYMBOL	FUNCTIONS	
1	V _{SS}	0V	POWER SUPPLY
2	V _{DD}	+5V	SUPPLY
3	V _{RS}	LCD Drive Voltage	
4	RS	Register Select H: DATA INPUT L: INSTRUCTION INPUT	
5	R/W	Signal Description High=LCM to MPU Low =MPU to LCM	
6	E	Signal Description R/W=Low>Data read at falling edge of E R/W=High>Data can be read when E is high	
7~14	DB0 ~DB7	DATA BUS 4 or 8 bit parallel, software selectable	
15	LED A	LED power supply	
16	LED K	LED power supply	



- NOTES:
1. ALL DIMENSIONS ARE MILLIMETRE
 2. LCD TYPE: FSTN.
 3. POLARIZER MODE: TRANSFLECTIVE.
 4. VIEW DIRECTION: 6:00
 5. OPERATING TEMPERATURE: -10°C TO +60°C.
 6. STORAGE TEMPERATURE: -20°C TO +70°C.
 7. BACKLIGHT: (1)BLUE LED (2)YELLOW-GREEN LED

6	162PCB	PCB	1	FR4	
5	162CFHD	PCB socket	1	1795-2x8-200-081	
4	162CZBR	Zebra	2		
3	162CLEd-1/-2	Backlight	1		BLUE OR Y-G BACKLIGHT
2	162CLCD	LCD DISPLAY	1	FSTN-TRANSFLECTIVE	
1	162CBZL	Bezel	1	COLD ROLLED STEEL	
ITEM	Drawing No.	Name	QTY	Spec/Material	Notes

TOLERANCE		DRAWN	08/29/02	PROJECTION:	REV: -
>0~6	±0.10	>120~400	±0.50	CHECKED	DRAWING No. : 162CMOD
>6~30	±0.20	>400~1000	±0.80	STANDARD	DRAWING TITLE: M162C
>30~120	±0.30	>1000~2000	±1.20	APPROVED	UNITS: mm SHEET: 1 OF 1
// ⊥ ⊙ ±0.10 ; ANGLE: ±3.0°					