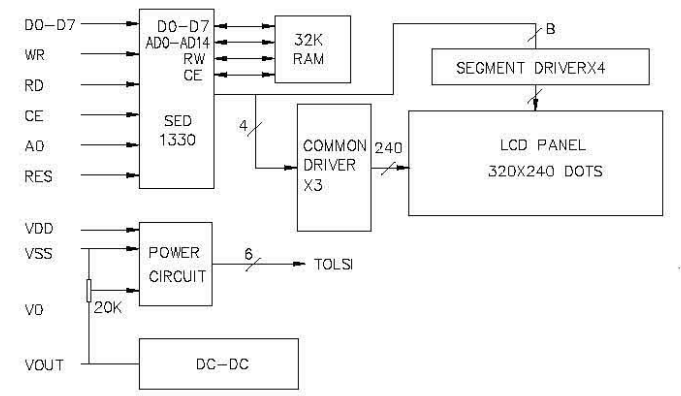
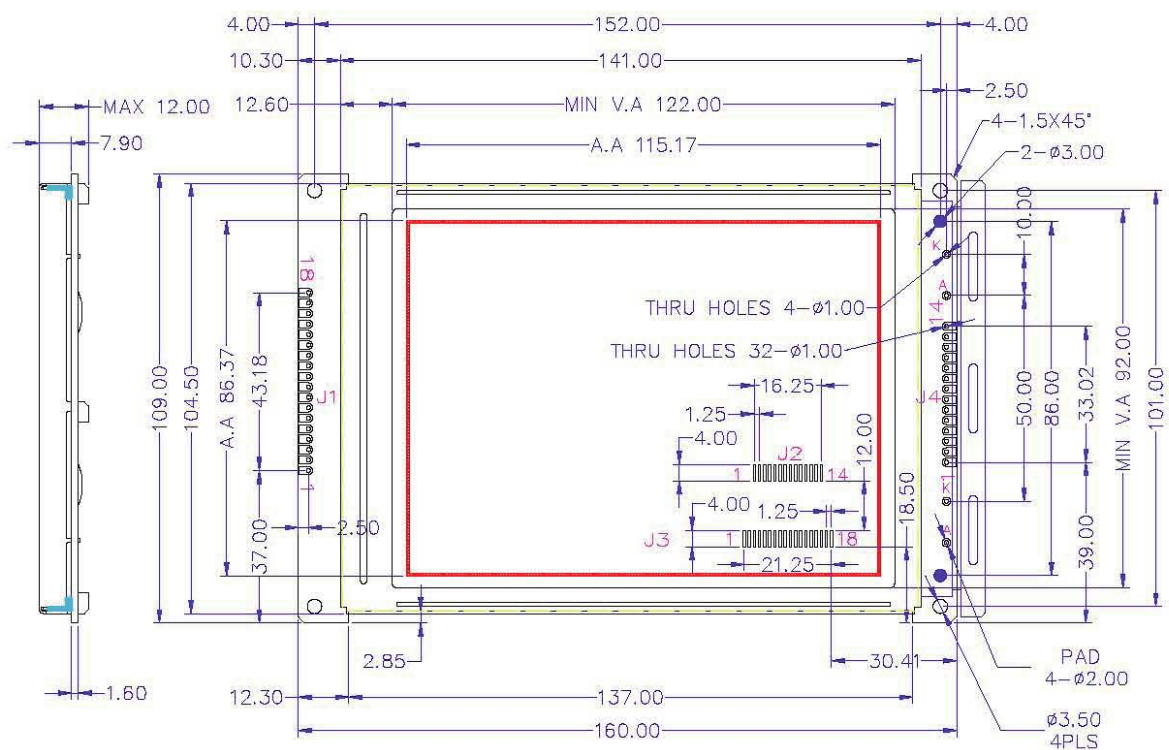


REV:	DESCRIPTION:	BY:	DATE
-	RELEASED	M.L	02/24/04

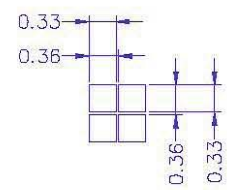


Pin No	Symbol	Description
1	D0	Data Bus
2	D1	
3	D2	
4	D3	
5	DISPOFF	H: Display On ,L: Display Off
6	FRAME	Frame signal
7	M	Alternater for LCD driver

Pin No	Symbol	Description
8	LOAD	Data latch signal
9	CP	Clock signal for shifting serial data
10	VDD	Power supply for logic
11	VSS	Gnd
12	VEE	Power supply for LCD (-23.0V)
13	VO	Variable voltage for LCD
14	NC	No Connected

Pin No	Symbol	description
1	VSS	Gnd
2	VDD	Supply voltage for logic
3	VO	Supply voltage for LCD Contrast adjustment
4	WR\	Write Signal
5	RD\	Read Signal
6	CS\	Chip select Signal
7	A0	Data Type Selection
8	RES\	Reset Signal
9	DB0	Data Bus
10	DB1	
11	DB2	
12	DB3	
13	DB4	
14	DB5	
15	DB6	
16	DB7	
17	LED+	+5.0V
18	VOUT	-23.0V

Pin No	Symbol	description
1	VSS	Gnd
2	VDD	Supply voltage for logic
3	VO	Supply voltage for LCD Contrast adjustment
4	A0	Data Type Selection
5	WR\	Write Signal
6	RD\	Read Signal
7	DB0	Data Bus
8	DB1	
9	DB2	
10	DB3	
11	DB4	
12	DB5	
13	DB6	
14	DB7	
15	CS\	Chip select Signal
16	RES\	Reset Signal
17	VOUT	On Board DC-DC Power out (-23.0V)
18	SEL1	H:6800 L:8080 DEFULT:8080



- NOTES:
1. ALL DIMENSIONS IN MM
 2. TOLERANCES UNLESS OTHERWISE SPECIFIED ±0.2MM

J2/J4

TOLERANCE	
>0~6	±0.10
>6~30	±0.20
>30~120	±0.30
>120~400	±0.50
>400~1000	±0.80
>1000~2000	±1.20
// ⊥ © ±0.10; ANGLE: ±3.0°	



DRAWN	Maggie Li	02/24/04	CHECKED	
STANDARD			PROJECTION:	REV: -
TECHNIC			DRAWING No. :	320240MOD
QUALITY			DRAWING TITLE:	FG320240
APPROVED			UNITS: mm	SHEET: 1 OF 1