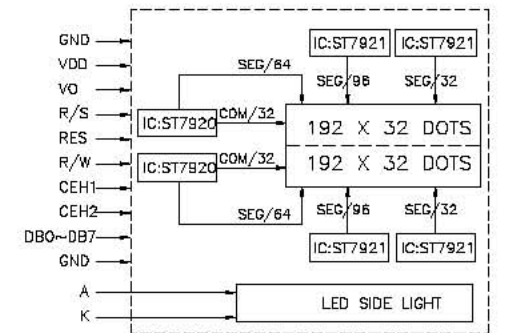
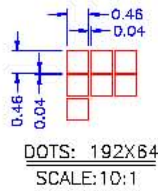
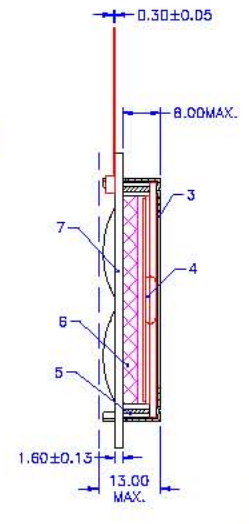
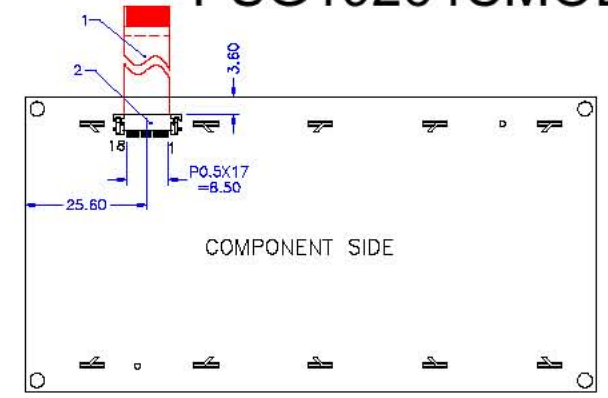
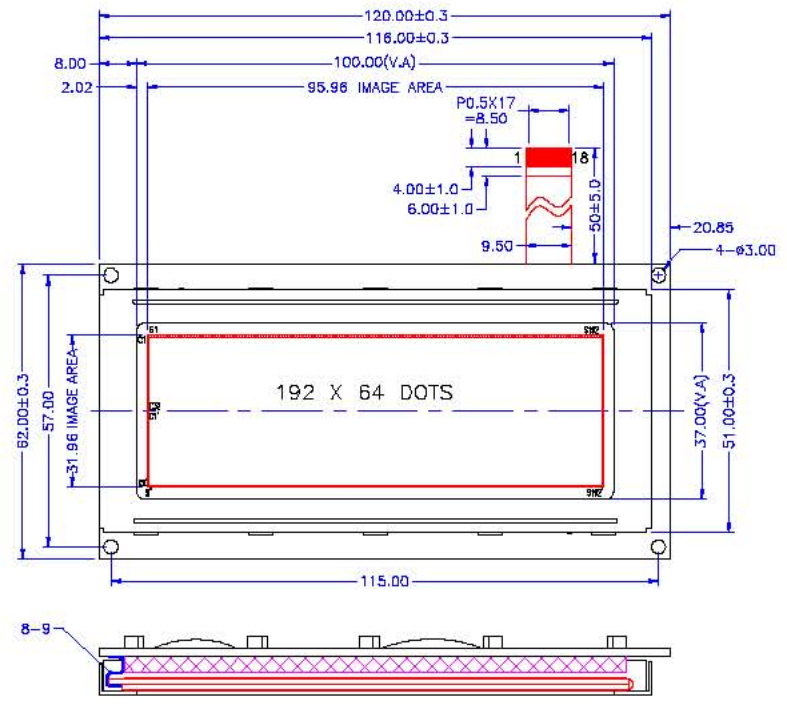


REV:	DESCRIPTION:	BY	DATE
-	RELEASED	M.L	02/19/04

PSG19264CMOD



PIN ASSIGNMENT			
PIN#	SYMBOL	LEVEL	Description
1	Vss	0V	Ground
2	Vdd	5.0V	Supply voltage for logic(+5V)
3	Va	-	Input voltage for LCD(0~5V)
4	R/S	H/L	H:DB<0:7>:Display RAM Data L:DB<0:7>:Instruction Data
5	R/W	H/L	H: Read mode,L:Write mode
6	CEH1	H,H→L	Chip1 enable signal
7	CEH2	H,H→L	Chip2 enable signal
8	DB0	H/L	DATA BUS
9	DB1	H/L	
10	DB2	H/L	
11	DB3	H/L	
12	DB4	H/L	
13	DB5	H/L	
14	DB6	H/L	
15	DB7	H/L	
16	RESB	L	Reset signal
17	LED(+)	4.2V	Side light anode
18	LED(-)	0V	Side light cathode

- NOTES:
- ALL DIMENSIONS ARE MILLIMETRE
 - LCD TYPE: STN(Y-G)/POSITIVE.
 - POLARIZER MODE: TRANSLLECTIVE.
 - VIEW DIRECTION: 6:00
 - DRIVE METHOD: 1/32DUTY; 1/5 BIAS.
 - OPERATING TEMPERATURE: -20°C TO +70°C.
 - STORAGE TEMPERATURE: -25°C TO +75°C.
 - CONNECTOR: HEATSEAL&ZEBRA.

Item	Drawing NO.	Name	QTY.	Spec/Material	Notes
8	19264CHSC	HEAT SEAL	1		
7	19264PCB	PCB ASSEMBLY	1	FR4	
6	19264CLED	BACKLIGHT LED	1	DOUBLE SIDE LED	COLOR: Y-G
5	19264CZBR	ZEBRA	2		
4	19264CLCD	LCD DISPLAY	1	STN(Y-G)/POSITIVE	
3	19264CBZL	METAL FRAME	1	STAINLESS STEEL	
2	19264CFPC	FPC CONNECTOR	1	0.5MM ZIF TYPE BOTTOM CONTACT	
1	19264CFFC	FFC TAPE	1		18 PIN

TOLERANCE		DRAWN	Maggie Li	02/07/04	CHECKED	PROJECTION:	REV: -
>0~6	±0.10	>120~400	±0.50	STANDARD			
>6~30	±0.20	>400~1000	±0.80	TECHNIC			DRAWING No. : 19264CMOD
>30~120	±0.30	>1000~2000	±1.20	QUALITY			DRAWING TITLE: G19264C
// ⊥ ⊙ ±0.10; ANGLE: ±3.0°		APPROVED				UNITS: mm	SHEET: 1 OF 1