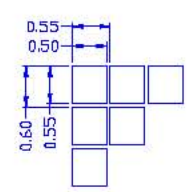
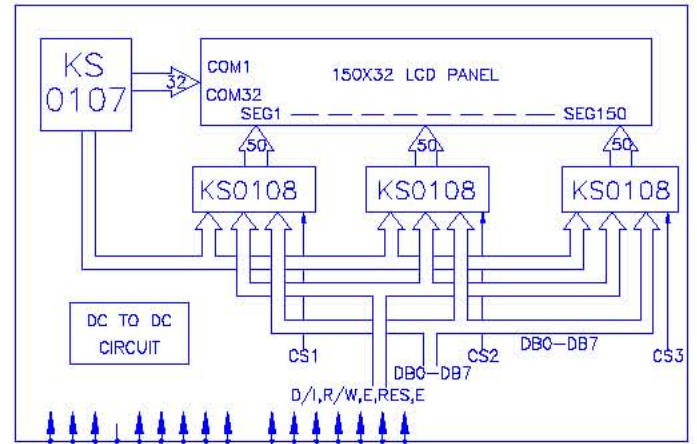
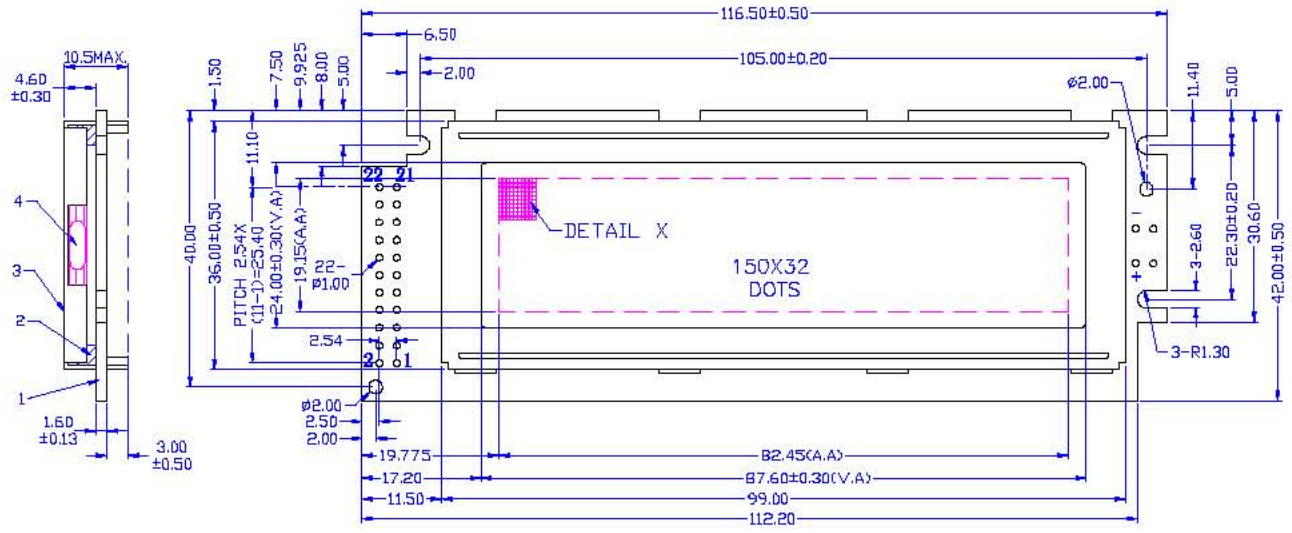


REV:	DESCRIPTION:	BY:	DATE
-	RELEASED	L.S	09/05/03

# PSG15032A

PIN#	SYMBOL	Level	Function
1	Vss	-	0V
2	VDD	-	+5V
3	Ve	-	OPERATING VOLTAGE FOR LCD DRIVING
4	D/I	H/L	H:DATA INPUT L:INSTRUCTION CODE INPUT
5	R/W	H/L	H:DATA READ(FROM LCM TO MPU) L:DATA WRITE(FROM MPU TO LCM)
6	E	H,H-L	ENABLE SIGNAL
7	DB0	H/L	DATA BUS LINE
8	DB1	H/L	
9	DB2	H/L	
10	DB3	H/L	
11	DB4	H/L	
12	DB5	H/L	
13	DB6	H/L	
14	DB7	H/L	
15	CS1	H	CHIP SELECT FOR IC1
16	CS2	H	CHIP SELECT FOR IC2
17	CS3	H	CHIP SELECT FOR IC3
18	RES	L	REST
19	VEE	-	POWER SUPPLY FOR LCD DRIVING
20	NC	-	NO CONNECTION
21	NC	-	NO CONNECTION
22	NC	-	NO CONNECTION



150X32 DOTS  
DETAIL X

**NOTES:**

1. ALL DIMENSIONS IN MM.
2. LCD TYPE: STN(GRAY)/POSITIVE.
3. POLARIZER MODE: REFLECTIVE.
4. VIEWING DIRECTION: 6:00.
5. OPERATING VOLTAGE: 7.2V.
6. DRIVE METHOD: DUTY:1/32; BIAS:1/6.6.
7. OPERATING TEMPERATURE: -20°C TO +70°C.
8. STORAGE TEMPERATURE: -30°C TO +80°C.
9. CONNECTOR: ZEBRA.
10. LCD DRIVER: KS0107 & KS0108

4	3709LCD	1	STN(GRAY)
3	3709BZL	1	COLD ROLLED STEEL
2	3709ZBR	2	
1	3709PCB	1	FR4

- 1 VSS
- 2 VDD
- 3 VO
- 4 D/I
- 5 R/W
- 6 E
- 7 DB0
- 14 DB7
- 15 CS1
- 16 CS2
- 17 CS3
- 18 RES
- 19 VEE
- 20 NC
- 21 NC
- 22 NC

TOLERANCE		DRAWN	07/29/03	CHECKED	
>0~6	±0.10	>120~400	±0.50	STANDARD	PROJECTION:  REV: -
>6~30	±0.20	>400~1000	±0.80	TECHNIC	DRAWING No. : 3709MOD
>30~120	±0.30	>1000~2000	±1.20	QUALITY	DRAWING TITLE: C3709
// ⊥ ⊙ ±0.10; ANGLE: ±3.0°		APPROVED		UNITS: mm	SHEET: 1 OF 1