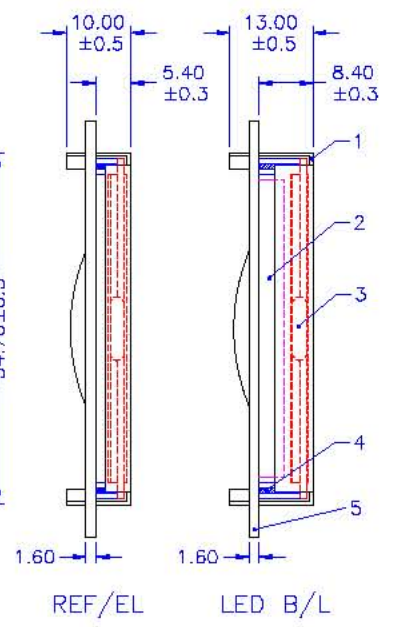
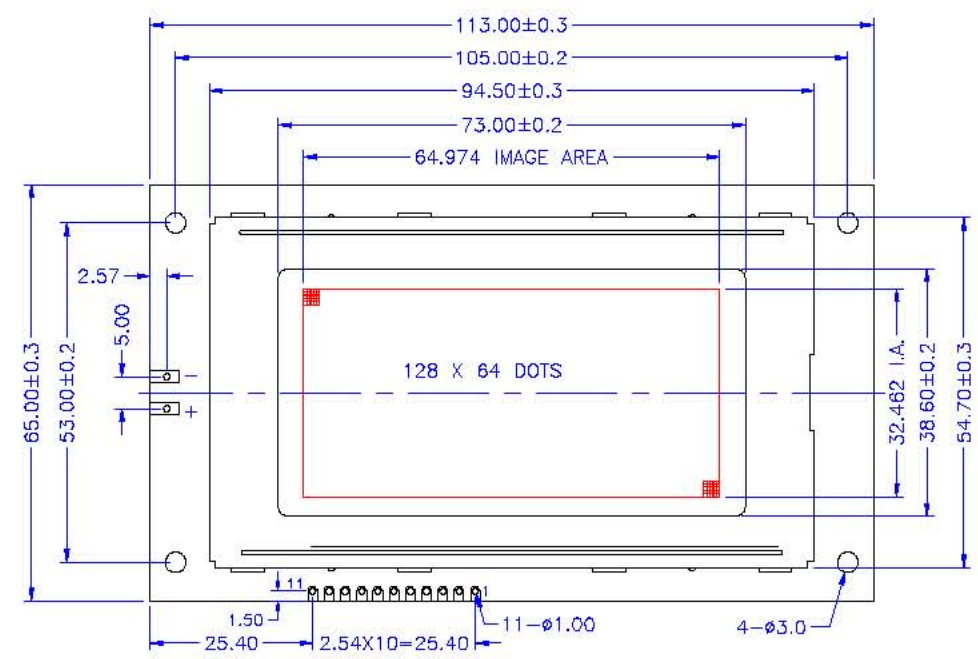
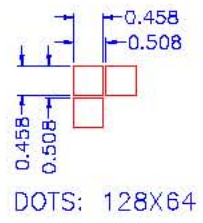
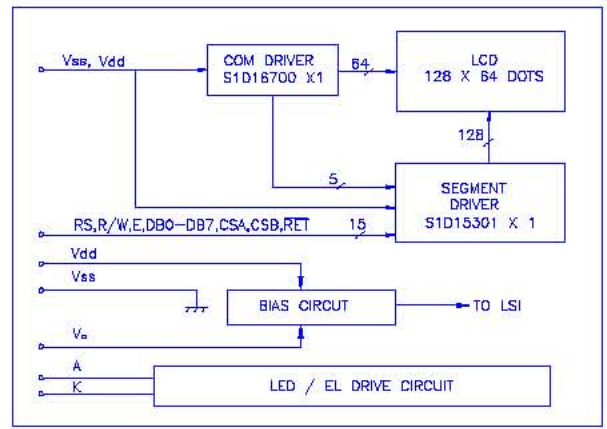


REV:	DESCRIPTION:	BY	DATE
-	RELEASED	P.L	12/01/03

PSG12864AMOD



PIN ASSIGNMENT			
PIN#	SYMBOL	LEVEL	FUNCTION
1	V _{SS}	0V	POWER SUPPLY (GND)
2	V _{CC}	3.3V	POWER SUPPLY (+3.3V)
3	RES	L	RESET SIGNAL
4	/CS	L	CHIP ENABLE SIGNAL
5	AO	H/L	SERIAL DATA/INSTRUCTION
6	SI	H/L	SERIAL INPUT SIGNAL
7	SCL	H/L	SERIAL CLOCK SIGNAL
8	LED(K)	H/L	LED BACKLIGHT -/EL
9	LED(A)	H/L	LED BACKLIGHT +/EL
10	V _{DD}	5.0V	POWER SUPPLY (+5V)
11	V _{SS}	0V	POWER SUPPLY (GND)



- NOTES:
1. ALL DIMENSIONS ARE MILLIMETRE
2. REFER TO MODULE PRODUCT SPECIFICATIONS FOR SPECIFIC CONFIGURATIONS AND BILL OF MATERIALS.

5	12864APCB	PCB LAYOUT	1	FR4	
4	12864CZBR-1/-2	ZEBRA	2		
3	12864CLCD	LCD DISPLAY	1	Y-G STN/POSITIVE	
2	12864CLED	LED BACKLIGHT	1	Y-G SIDE BACKLIGHT	
1	12864CBZL-1/-2	BEZEL	1		
Item	Drawing No.	Name	QTY.	Spec./Material	Notes

TOLERANCE		DRAWN	Peggy.Li	12/01/03	CHECKED	
>0~6	±0.10	>120~400	±0.50	STANDARD	PROJECTION:	REV: -
>6~30	±0.20	>400~1000	±0.80	TECHNIC	DRAWING No. : 12864AMOD	
>30~120	±0.30	>1000~2000	±1.20	QUALITY	DRAWING TITLE: G12864A	
// ⊥ ⊙ ±0.10; ANGLE: ±3.0°				APPROVED	UNITS: mm	SHEET: 1 OF 1