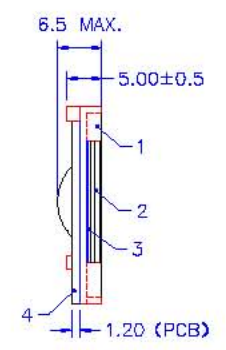
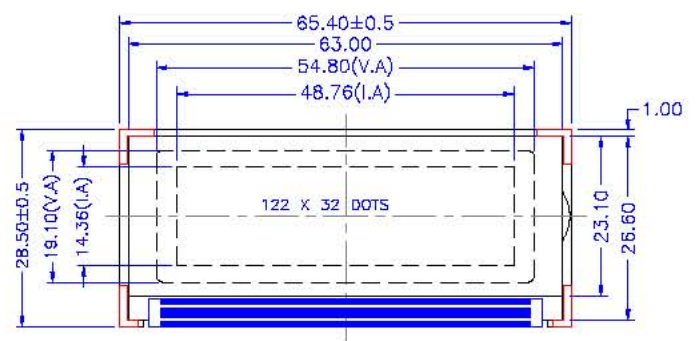
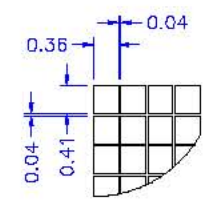
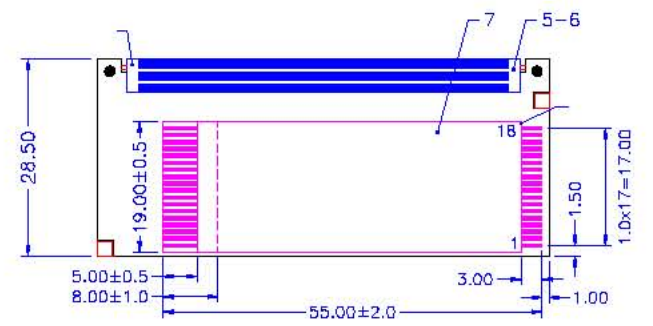


REV:	DESCRIPTION:	BY	DATE
-	RELEASED	P.L	01/31/04

PSG12232BMOD

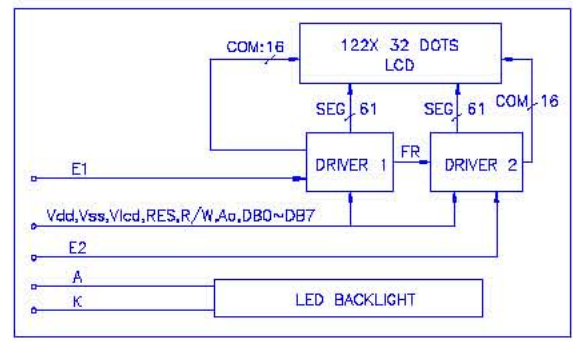


PIN ASSIGNMENT		
PIN#	SYMBOL	FUNCTION
1	Vdd	Power supply for logic (+5V)
2	Vss	Signal ground (GND)
3	Vlcd	Operating voltage for LCD(variable)
4	RES	Input interface select High level: 68 series MPU interface Low level: 80 series MPU interface
5	E1	Chip enable active. "L": segment 0~segment 61
6	E2	Chip enable active. "L": segment 62~segment 122
7	R/W	Data write (68-family MPU>Data read and write)
8	Ao	"L": D0 to D7 are display control data "H": D0 to D7 are display data
9~16	DB0~DB7	DATA BUS
17	A	LED Backlight Power Supply (+2.1V)
18	K	LED Backlight Power Supply (-)



DETAIL FOR
122 X 32 DOTS

- NOTES:
- ALL DIMENSIONS ARE MILLIMETRE
 - LCD TYPE: STN(Y-G)/POSITIVE.
 - POLARIZER MODE: TRANSMISSIVE.
 - VIEW DIRECTION: 6:00
 - DRIVE METHOD: 1/32 DUTY; 1/5 BIAS.
 - OPERATING TEMPERATURE: 0°C TO +50°C.
 - STORAGE TEMPERATURE: -20°C TO +70°C.
 - CONNECTOR: HEATSEAL.
 - 18 PIN PFC**



7	12232BHFC	1	18 PIN, 1.0 PITCH
6		2	Heatseal
5	12232BHSC	1	
4	12232BHPCB	1	PFA
3		2	
2	12232BLCD	1	STN(Y-G)/POSITIVE
1	12232BLEO	1	

TOLERANCE		DRAWN	Peggy.Li	01/14/04	CHECKED		
>0~6	±0.10	>120~400	±0.50	STANDARD		PROJECTION:	REV: -
>6~30	±0.20	>400~1000	±0.80	TECHNIC		DRAWING No. :	12232BMOD
>30~120	±0.30	>1000~2000	±1.20	QUALITY		DRAWING TITLE:	G12232B
// ⊥ ⊙ ±0.10; ANGLE: ±3.0°		APPROVED				UNITS: mm	SHEET: 1 OF 1